

### MAIN FEATURES



**8MP**



3840 (H) × 2160 (V)



2.8 mm Fixed Lens



**Color 0.1lux @ F1.2(AGC ON) ;  
B/W 0 lux @ IR ON**



**30m** IR Distance



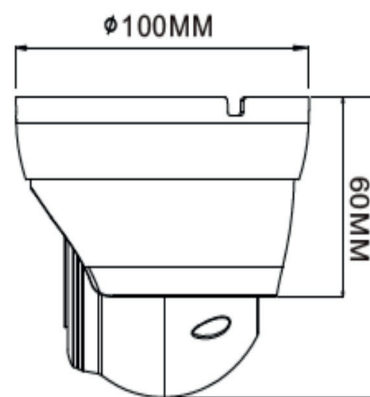
TRUE WDR



IP66



DC 12V/POE



MODEL	SRDN8FW
Image Sensor	1/2.5" Progressive CMOS
Resolution	8MP 3840(H)×2160(V)
Min. Illumination	Color 0.1lux @ F1.2(AGC ON) ; B/W 0 lux @ IR ON
Shutter	1/5 ~ 1/20000s
Slow shutter	Support
Lens	2.8mm H.FOV: 111°
F No.	F No. 2.0±5%
Day & Night	IR cut filter with auto switch (Day/Night/Auto/Schedule)
Digital noise reduction:	3D DNR
WDR	120 dB
Video Compression	H.265/H.264
Video bit rate	8Kbps ~ 16Mbps
Triple Stream	YES
Resolution	Main Stream (1~30fps default 30fps) 8MP (3840x2160),5MP(3072*1728)(2592*1944), 4MP(2592 1520),3MP(2304x1296), 1080P(1920x1080), 720P(1280x720), Sub Steam (1~30fps default 15fps) 720P(1280x720), VGA(640x- 480),QVGA(320x240) Mobile Stream (1~30fps default 10fps) VGA(640x480), QVGA (320x240)
Image Settings	Flip, Rotation, Corridor mode, Saturation, Brightness, Contrast, Hue, Sharpness adjustable
BLC	Support
ROI	Support
Privacy Mask	Support
Video Analytics	Perimeter Intrusion Detection, Line Crossing Detection, Stationary Object Detection, Pedestrian Detection,Face Detection(DEEP LEARNING),Cross Counting.
Protocols	TCP/IP,HTTP,DHCP,DNS,DDNS,RTP/RTSP,PPPoE, SMTP,NTP,UPnP,SNMP,HTTPS,FTP,
System Compatibility	ONVIF( Profile S, Profile G)
Interface	RJ45 10M / 100M Ethernet interface x1
Led	18pcs(SMD)
IR Range	Up to 30m
SD storage	No
Alarm Trigger	No
Audio	No
Video Output	No
Reset Button	No
PoE	YES
Water Proof	IP 66
Power Supply	DC 12V/POE
Consumption	≤ 6W
Dimension	Ø100 X 90mm
Weight	appr. 370g
Storage Temperature	-30~+60°C
Operating Temperature	-30~+55°C

\* Specifications subject to change without further notice